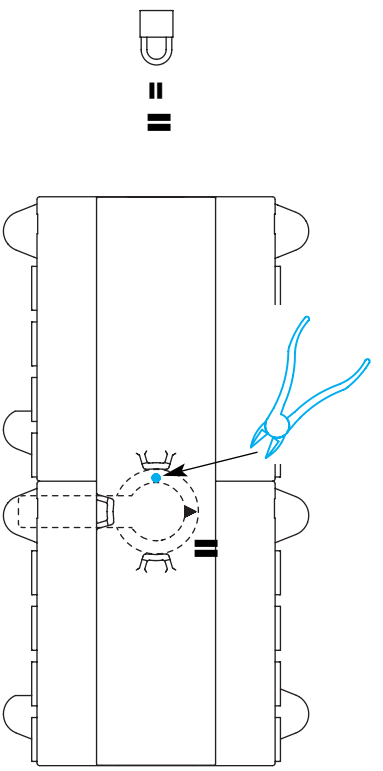
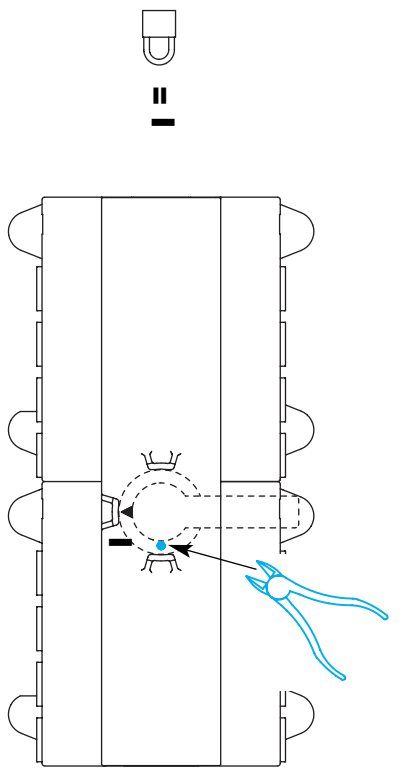
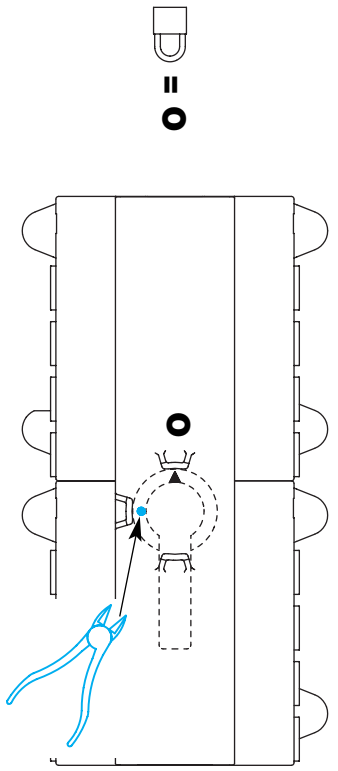
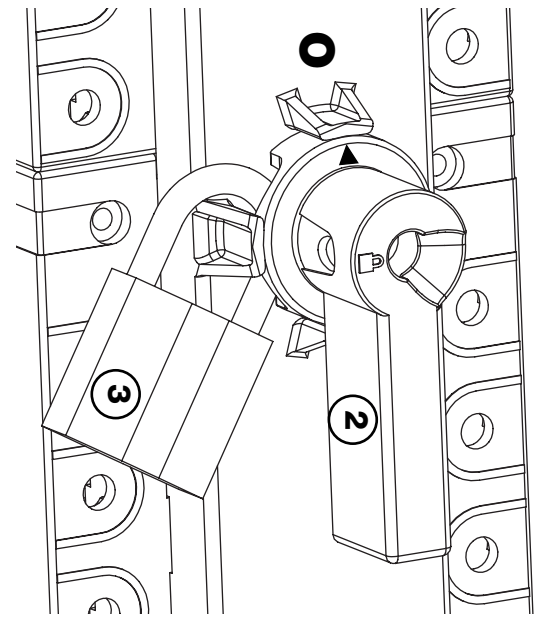
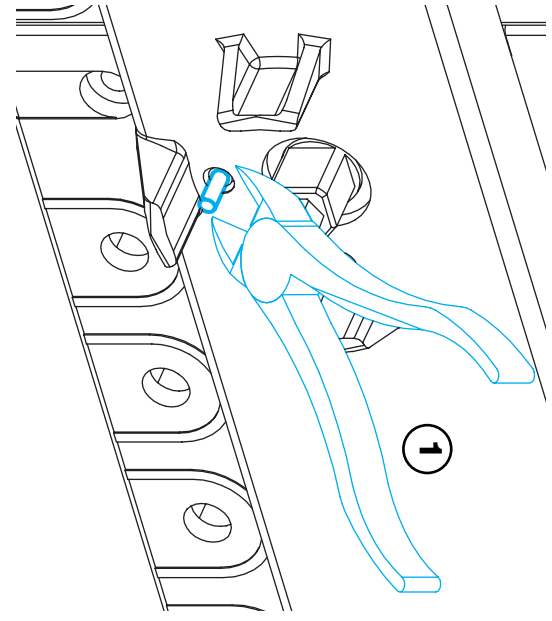


NMO 527322-G

C

AEF	JPF	07-01-04
ETABL	VERIFIE	DATE
Issued	Checked	Date



D = 0

D = 1

D = 2