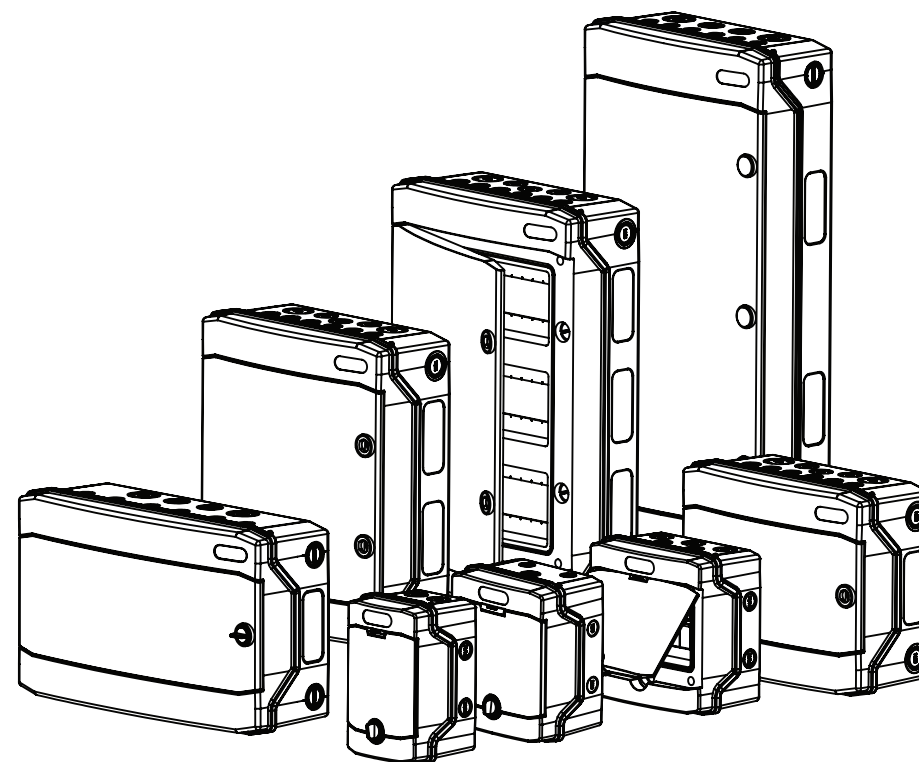


	A	B	C	D	E	F	Pde	Static load
ECH-4G	201 mm	128 mm	120 mm	-	-	140 mm	10 W	0.65 kg
ECH-6G	201 mm	165 mm	118 mm	-	63 mm	140 mm	10 W	0.98 kg
ECH-8G	201 mm	202 mm	120 mm	-	100 mm	140 mm	13 W	1.30 kg
ECH-12PT	259 mm	319 mm	144 mm	-	210 mm	130 mm	16 W	1.95 kg
ECH-18PT	259 mm	428 mm	144 mm	-	259 mm	130 mm	20 W	2.93 kg
ECH-24PT	384 mm	319 mm	144 mm	125 mm	210 mm	255 mm	24 W	1.95 kg
ECH-36PT	535 mm	319 mm	144 mm	125 mm	210 mm	380 mm	26 W	1.95 kg
ECH-48PT	664 mm	319 mm	144 mm	125 mm	210 mm	505 mm	28 W	1.95 kg



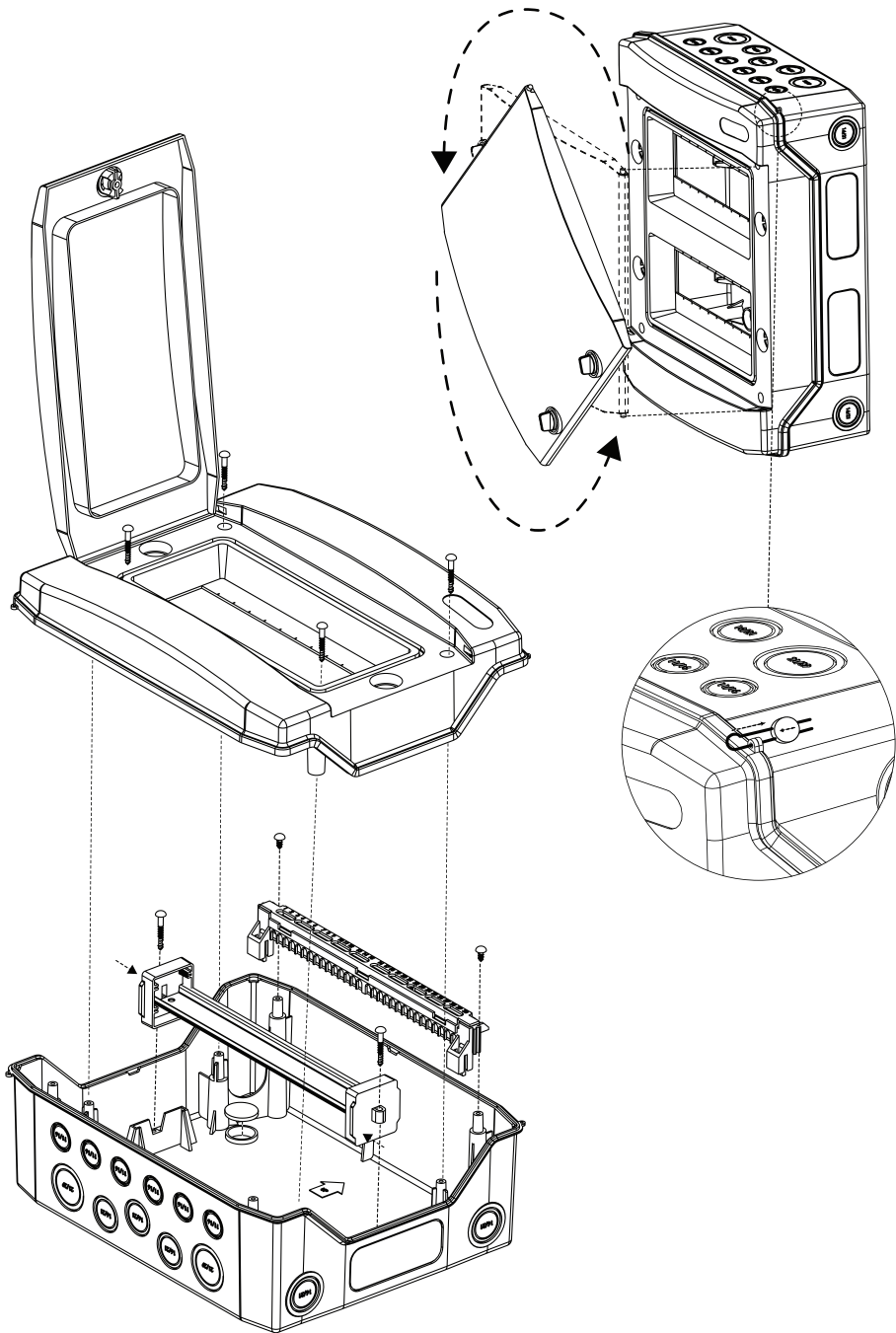
To preserve IP65 protection of enclosure use metric cable glands with IP65 protection degree.  
During assembly of cable glands use sharp tool to open hole on prepared place on enclosure in order to preserve IP65 protection degree.

For indoor locations ( $\leq 50\%$  RH at max.  $+40^{\circ}\text{C}$  or for example  $90\%$  RH at  $+20^{\circ}\text{C}$ )  
For outdoor locations (max.  $+40^{\circ}\text{C}$  average over  $24\text{h} \leq 35^{\circ}\text{C}$ , lower limit:  $-25^{\circ}\text{C}$ )  
For outdoor locations (up to  $100\%$  RH at max.  $+25^{\circ}\text{C}$ )

Temperature range:  $-25^{\circ}\text{C} \dots +60^{\circ}\text{C}$ . IP65, Class II; IK08  
According to: IEC 60670; IEC 62208  
Rating Voltage: AC400V, DC1500V

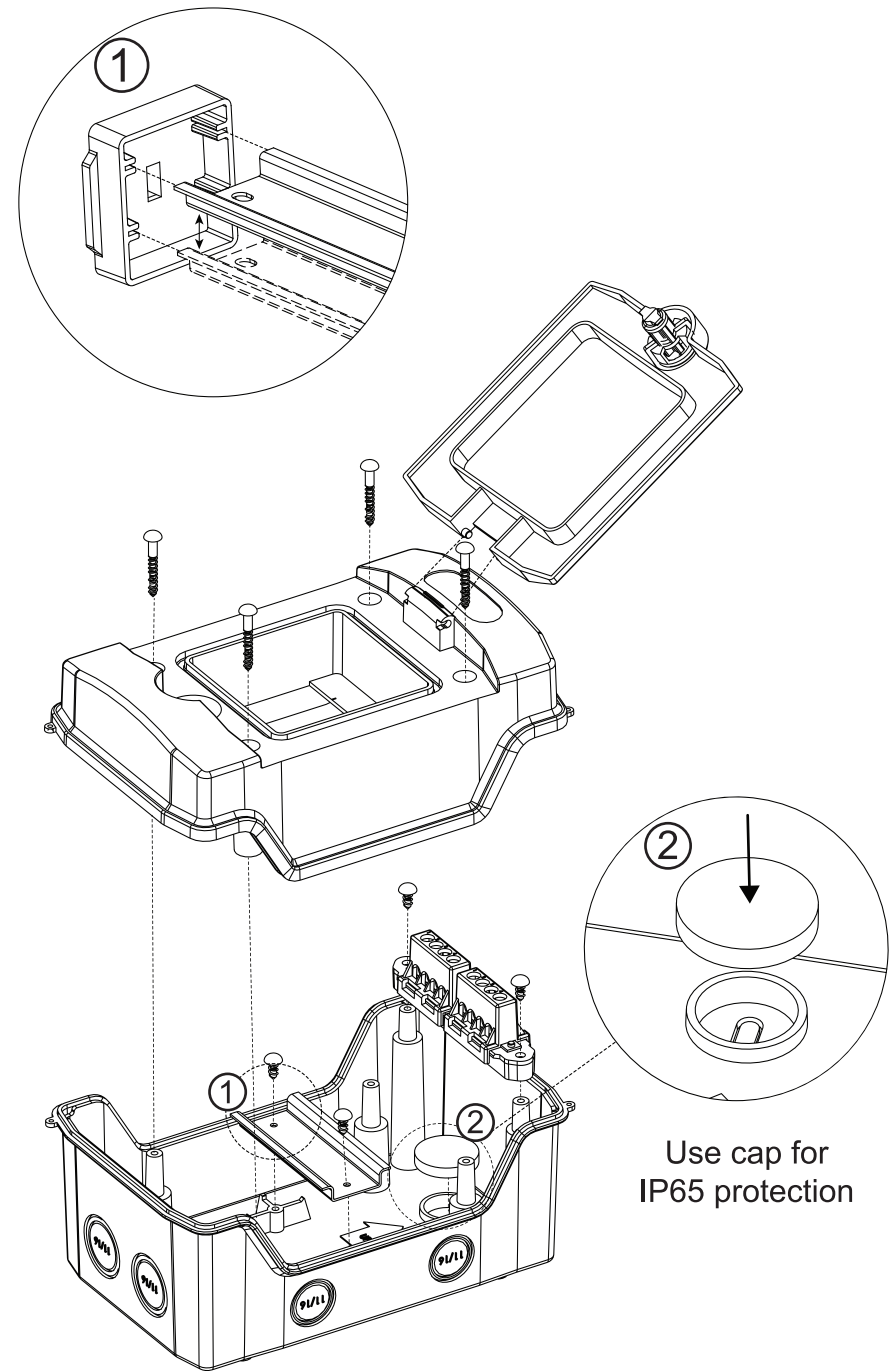
ETI Elektroelement d.o.o  
Obrezija 5  
1411 Izlake  
Slovenia

ETI Polam Sp.z.o.o.  
ul. Jana Pawła II 18  
06-100 Pułusk  
Polska



DIN RAIL MOUNTING

Ed.3 - 05/2021



DIN RAIL MOUNTING