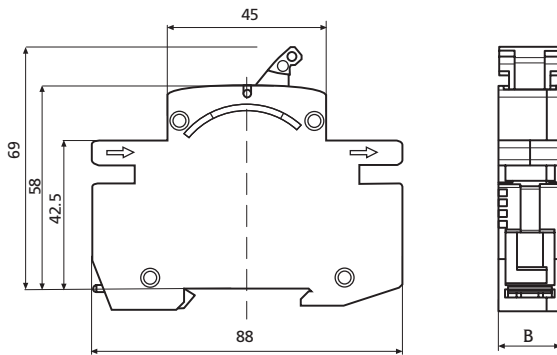


Fuse - switch disconnecter VLD01

Fuse-switch disconnecter is a protection device with an exchangeable for D01 fuse link. This system enables the following protecting advantages, concerning the D0 fuse:

- Replacement of the fuse-link can be done with a movable holder, without danger of direct contact to the parts under voltage.
- The device can be switched on without screwing, contact pressure is applied automatically by a spring.
- Complete protection against touch by VBG 4.
- In position 1 and 0, the fuse-link operation indicator is visible through a transparent window.



Technical data:

Rated voltage U_n	230 V, 230/400 V, 400 V AC
Rated current I_n	2-6 A, 10 A, 13 A, 16 A
Rated frequency f_n	45-62 Hz
Utilization category	AC-22 A
Mechanical life	10.000 cycles
Electrical life	1500 cycles
Poles	1p, 1p+N, 2p, 3p, 3p+N
Standards	VDE 0638, DIN 43880
Connection	25 mm ²

type	B [mm]
1p	17,5
1p+N	35
2p	35
3p	52,5
3p+N	70

Switch - disconnecter - fuse STVD02

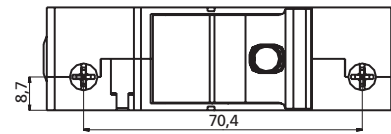
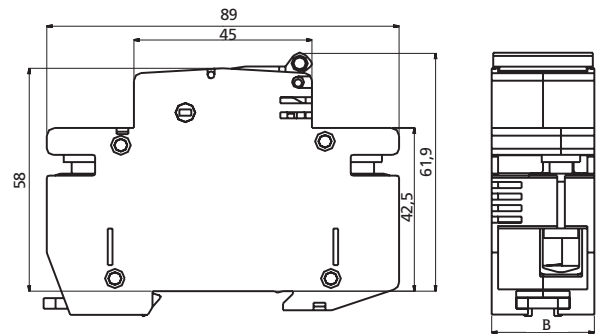
Switch-disconnector-fuse is a device which combines the functions of the switch and of the fuse D0.

The system enables the following advantages of protection in comparison with the fuse D0:

- The changing of the fuse-link without danger of direct touch of parts under voltage.
- Snap-on mounting on rail according to EN 60715.
- The complete protection against touch according to VBG 4.
- The possibility of connecting supply from the upper or from the lower side.
- It can be used as a main switch and tariff fuse in a single device.
- Possibility of sealing in ON or OFF positions with or without fuse-link.

STVD02 set includes a switch-disconnector-fuse, gauge pieces of all sizes and adapters of all sizes.

Technical data:	
Number of poles	1p, 1p+N, 2p, 3p, 3p+N
Rated voltage	230/400 V AC, 110 V (2p) DC
Rated breaking capacity	50 kA
Rated insulation voltage	400 V
Rated impulse resistance voltage	6000 V
Category of use according to DIN VDE 0638	AC 22(63 A), AC 23(35 A), DC 22 (63 A)
Category of use according to DIN E 60 947-3	AC-22A (63A/400V AC), AC-23A (35A/400V AC), DC-22B (63A/110V DC)
Mechanical life	8.500 cycles
Electrical life	1.500 cycles
Temperature of environment	-5°C ... +40°C
Air humidity	90%
Degree of protection	IP 00 according to DIN 40 050
Standards	VDE 0638 EN 60 947-3, DIN VDE 0113, DIN VDE 0110
Connection clamps	Up to 35 mm ² (multiwire conductor) with screw +/-
Possibility of sealing	in ON or OFF position



type	B [mm]
1p	26,8
1p+N	53,6
2p	53,6
3p	80,4
3p+N	107,2

Auxiliary switch PS STV

Auxiliary switch PS STV is intended to be mounted with switches of series STV D02. The width of apparatus is 9 mm, other dimensions comply with STV D02 series switches.
Auxiliary switch PS STV D02 serves for distant signalization of the state of contacts (on/off) of STV D02 switch, or for circuit control.

Technical data:	
Rated current I_n	AC12 (6A/230V AC)
	DC12 (1A/110V DC)
Rated conditional short circuit current	1 kA at 20 A fuse link
Standards	EN 62019

