

Manual change-over switches LAS

Generalities

Change-over switches manually operated suitable for breaking and change-over of two low voltage electrical circuits. They are made by two standard switches mechanically interlocked.

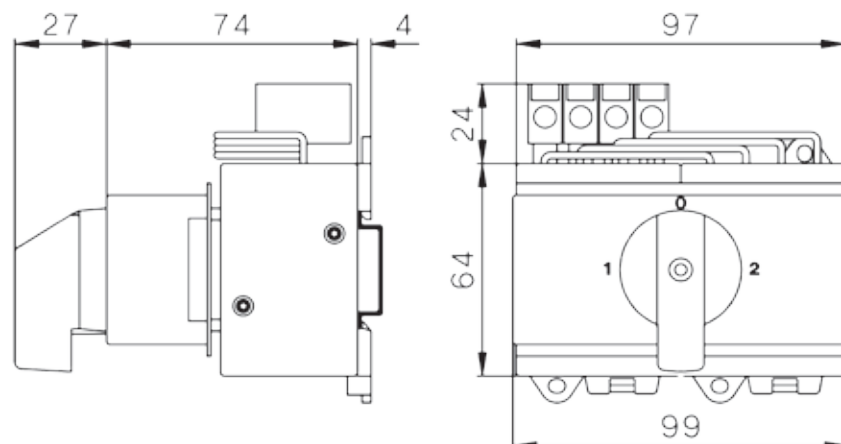
Rotary front operation by means of:

- External double insulated door-interlock handle in I and II position, IP65 degree of protection
- Direct handle standard
- Standards: IEC 60947 / 1-3

Technical data for manual change-over switches LAS 20-40A

Type			LAS_CO				
Main contacts							
Rated thermal current		(I _{th})	(A)	20	25	32	40
Rated insulation voltage	AC	(U _i)	(V)	690	690	690	690
Rated operational current AC-21-A		(I _c)	(A)	20	25	32	40
Making capacity	3x380 - 440V		(A)	160	190	220	300
Breaking capacity	3x220 - 240V		(A)	160	180	200	250
	3x380 - 440V		(A)	160	180	200	250
	3x660 - 690V		(A)	80	110	140	170
Motor switch AC3	3x400V		(A)	12	16	23	30
Motor switch AC3	3x220 - 240V		(kW)	3	4	5,5	7,5
Motor switch AC3 direct switching of single motors	3x380 - 440V		(kW)	5,5	7,5	11	15
	3x660 - 690V		(kW)	5,5	7,5	11	15
Main switch AC-23	3x400V		(A)	16	20	25	32
Motor switch AC-23-A	3x220 - 240V		(kW)	4	5,5	7,5	9
Main switch AC-23-B	3x380 - 440V		(kW)	7,5	10	12,5	16
Safety switch	3x660 - 690V		(kW)	5,5	7,5	11	15
Rated conditional short-circuit current			(kA _{eff})	10	10	10	10
Back-up fuse gG			(A)	25	35	40	50
Mechanical life			x10 ³	200	200	200	200
Rated short-time withstand current (1sec.)			(A)	250	300	400	500
Max. cable cross section - solid			mm ²	10	10	10	10
	flexible		mm ²	6	6	6	6
Size of terminal screw				M 3,5	M 3,5	M 3,5	M 3,5
Tightening torque			Nm	0,8 - 1,7	0,8 - 1,7	0,8 - 1,7	0,8 - 1,7
Auxiliary contacts							
Rated insulation voltage	AC	(U _i)	(V)	690	690	690	690
Rated thermal current		(I _{th})	(A)	10	10	10	10
Switching capacity AC15	220 - 240V		(A)	2,5	2,5	2,5	2,5
	380 - 440V		(A)	1,5	1,5	1,5	1,5
Rated short-time withstand current			(kA _{eff})	3	3	3	3
Back-up fuse gG			(A)	10	10	10	10
Max. cable cross section - solid			mm ²	2,5	2,5	2,5	2,5
	flexible		mm ²	2,5	2,5	2,5	2,5

LAS_CO 20-40A



Technical data for manual change-over switches LAS 63-125A

Type	LAS_CO						
Rated current		(I _n)		63	80	100	125
Rated insulation voltage	AC	(U _i)	(V)	800	800	800	800
Impulse withstand voltage		(U _{imp})	(kV)	8	8	8	8
Rated thermal current		(I _{th})	(A)	63	80	100	125
Rated current AC-21/A	415V	(A)		63	80	100	125
	500V	(A)		63	80	100	125
	690V	(A)		63	80	100	125
Rated current AC-22/A	415V	(A)		63	80	100	125
	500V	(A)		63	80	100	100
	690V	(A)		40	40	40	40
Rated current AC-23/A	415V	(A)		63	80	80	80
	500V	(A)		63	63	63	63
	690V	(A)		32	32	32	32
Rated making capacity at 400V AC23		(A)		630	800	800	800
Rated breaking capacity at 400V AC23		(A)		504	640	640	640
Rated operational current AC 23A	415V	(kW)		29	37	37	37
	500V	(kW)		35	35	35	35
	690V	(kW)		24	24	24	24
Short-circuit with stand current (1 sec)		400V	(kA)	1,5	1,5	1,5	1,5
Back up fuse gG		(A)		63	80	100	125
Short - circuit current - R.M.S. value		(kA)		50	50	30	20
Short - circuit current - peak value		(kA)		8	9,9	9,9	9,9
Mechanical endurance		n°		30000	30000	30000	30000
Electrical endurance		n°		3000	1500	1500	1000
Power loss per pole		(W)		0,8	1,3	2	3,1
Cable section (Cu)		mm ²		16-50	16-50	25-50	35-50
Operation torque		Nm		2	2	2	2
Auxiliary contact AC 15/415V		(A)		3	3	3	3

LAS 63-125 3p CO

